

# WAECO

mobile solutions



## WAECO CoolMatic

CR-50, CR-65, CR-80, CR-110

DE 12 **Kühlschrank**  
Bedienungsanleitung

EN 31 **Refrigerator**  
Operating Manual

FR 49 **Réfrigérateur**  
Notice d'utilisation

ES 68 **Nevera**  
Instrucciones de uso

IT 87 **Frigorifero**  
Istruzioni per l'uso

NL 106 **Koelkast**  
Gebruiksaanwijzing

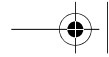
DA 125 **Køleskab**  
Betjeningsvejledning

SV 143 **Kylskåp**  
Bruksanvisning

NO 161 **Kjøleskap**  
Bruksanvisning

FI 179 **Jääkaapp**  
Käyttöohje





D

Fordern Sie weitere Informationen zur umfangreichen Produktpalette aus dem Hause WAECO an. Bestellen Sie einfach unsere Kataloge kostenlos und unverbindlich unter der Internetadresse: [www.waeco.de](http://www.waeco.de)

GB

We will be happy to provide you with further information about WAECO products. Please order our free catalogue with no obligation to buy on our homepage: [www.waeco.com](http://www.waeco.com)

F

Demandez d'autres informations relatives à la large gamme de produits de la maison WAECO. Commandez tout simplement notre catalogue gratuitement et sans engagement à l'adresse internet suivante : [www.waeco.com](http://www.waeco.com)

E

Solicite más información sobre la amplia gama de productos de la empresa WAECO. Solicite simplemente nuestros catálogos de forma gratuita y sin compromiso en la dirección de Internet: [www.waeco.com](http://www.waeco.com)

I

Per ottenere maggiori informazioni sull'ampia gamma di prodotti WAECO è possibile ordinare una copia gratuita e non vincolante del nostro Catalogo all'indirizzo Internet: [www.waeco.com](http://www.waeco.com)

NL

Maak kennis met het omvangrijke productscala van de firma WAECO. Bestel onze catalogus gratis en vrijblijvend onder het internetadres: [www.waeco.com](http://www.waeco.com)

DK

Bestil yderligere information om det omfattende produktudvalg fra WAECO. Bestil vores katalog gratis og uforpligtende på internetadressen: [www.waeco.com](http://www.waeco.com)

S

Inhämta mer information om den omfattande produktpaletten från WAECO: Beställ våra kataloger gratis och utan förpliktelser under vår Internetadress: [www.waeco.com](http://www.waeco.com)

N

Be om mer informasjon om det rikholdige produktutvalget fra WAECO. Bestill vår katalog gratis uforbindtlig på Internettadressen: [www.waeco.com](http://www.waeco.com)

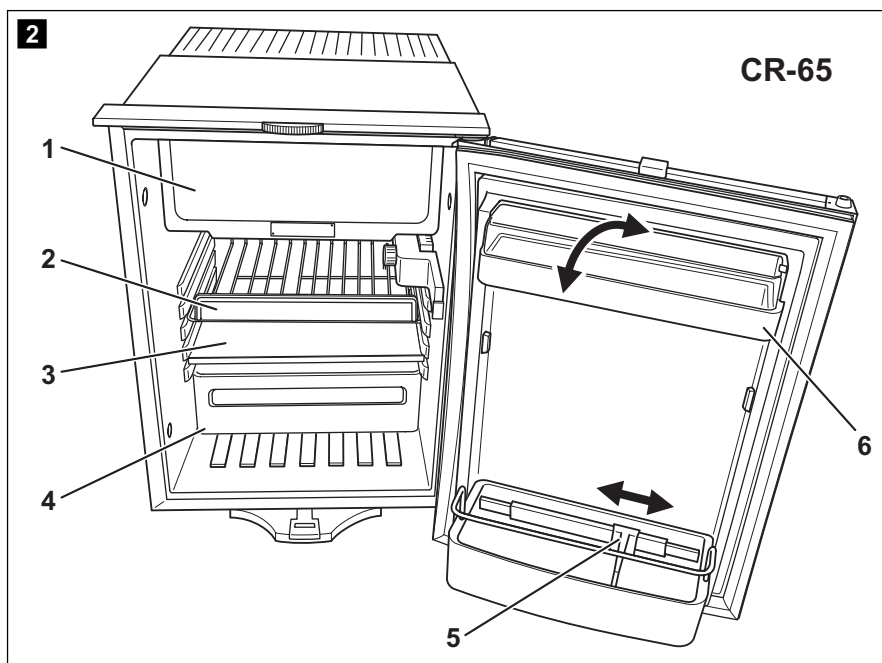
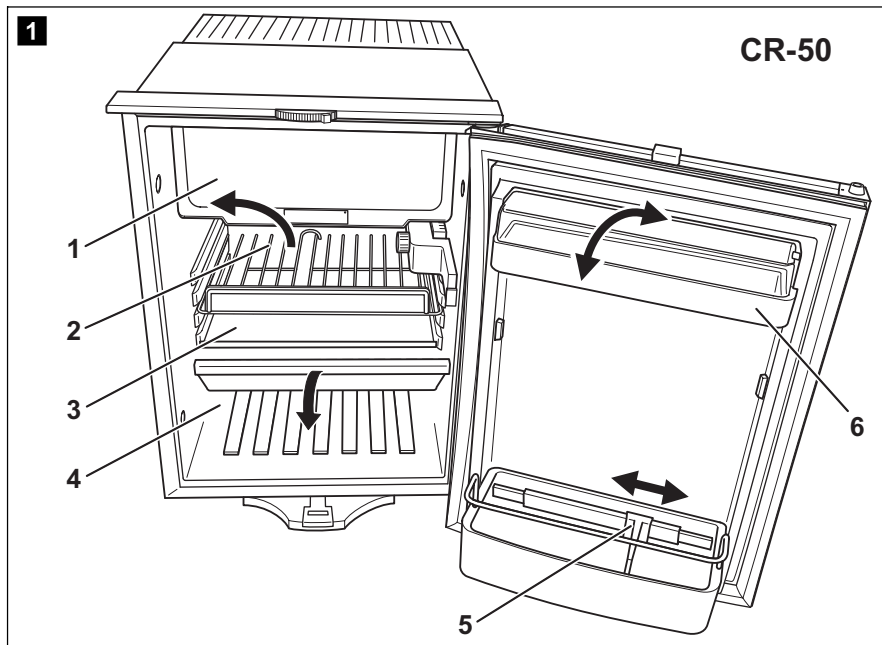
FIN

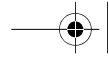
Pyytäkää lisää tietoja WAECO:n kattavista tuotevalikoimista. Tilatkaa tuotekuvastomme maksutta ja sitoumuksetta internet-osoitteesta: [www.waeco.com](http://www.waeco.com)



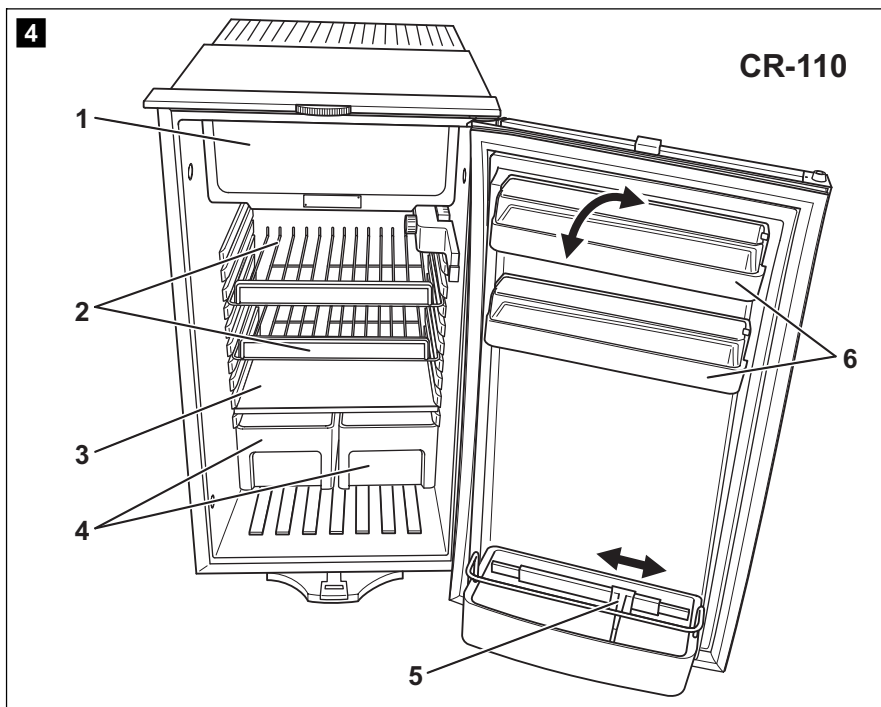
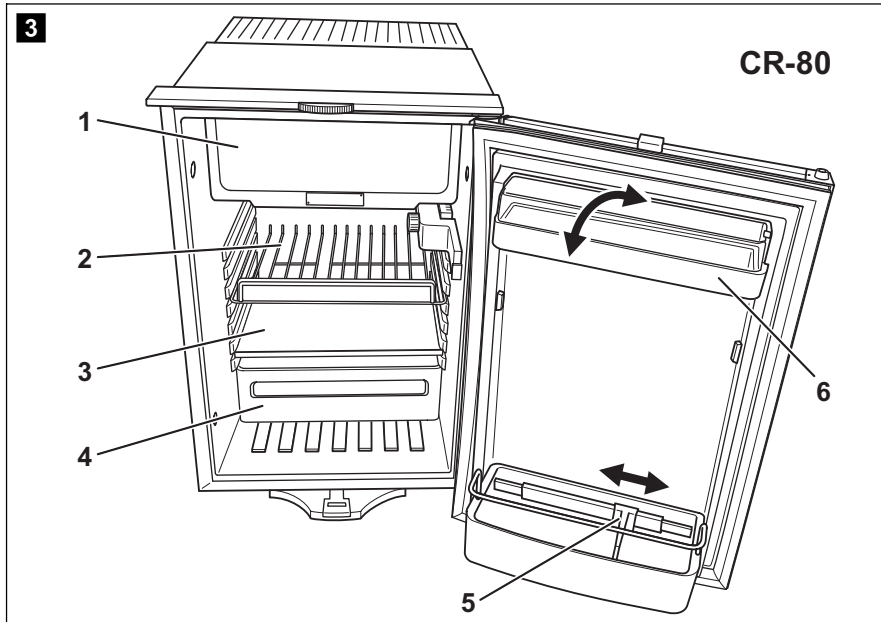


## COOLMATIC CR-Serie



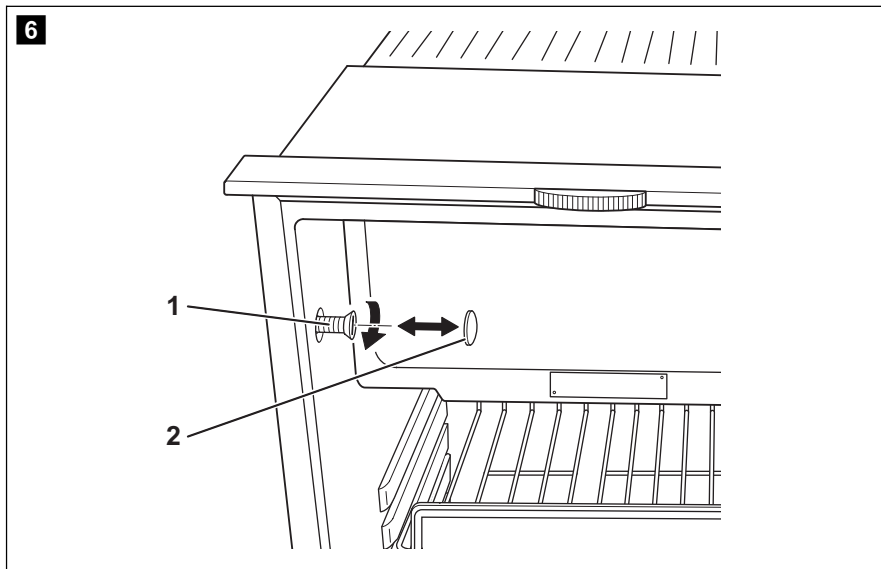
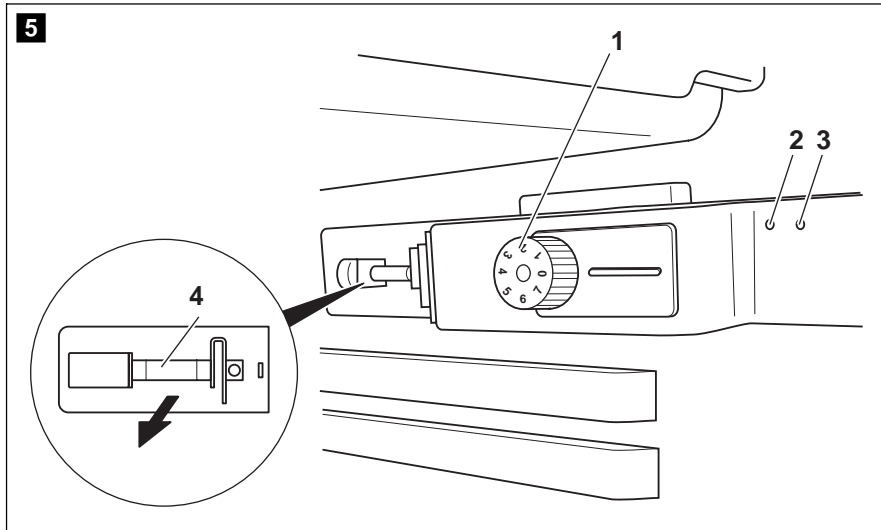


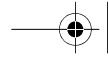
COOLMATIC CR-Serie



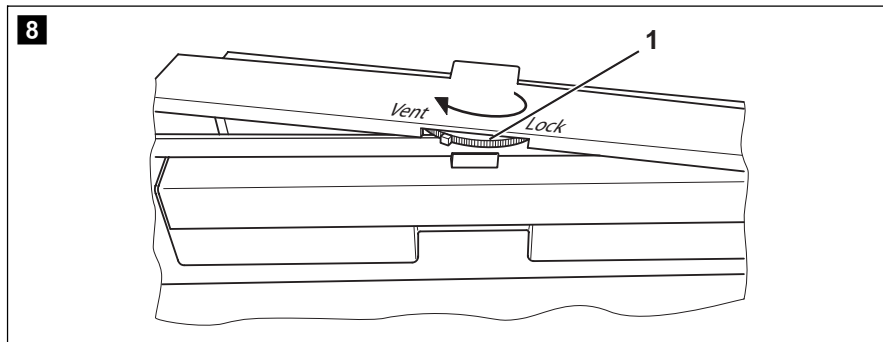
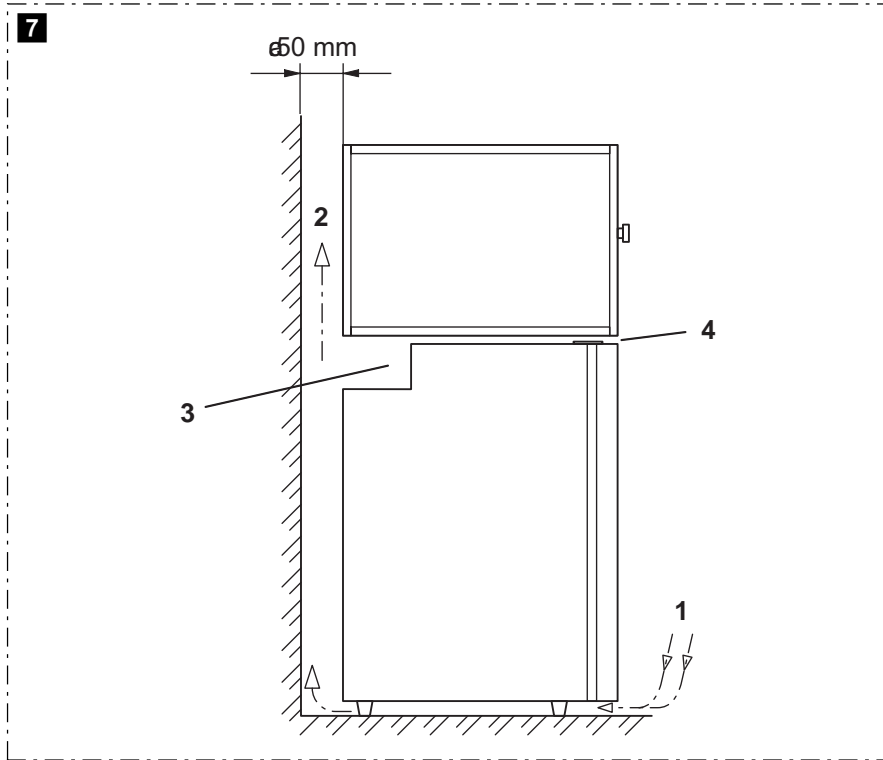


## COOLMATIC CR-Serie



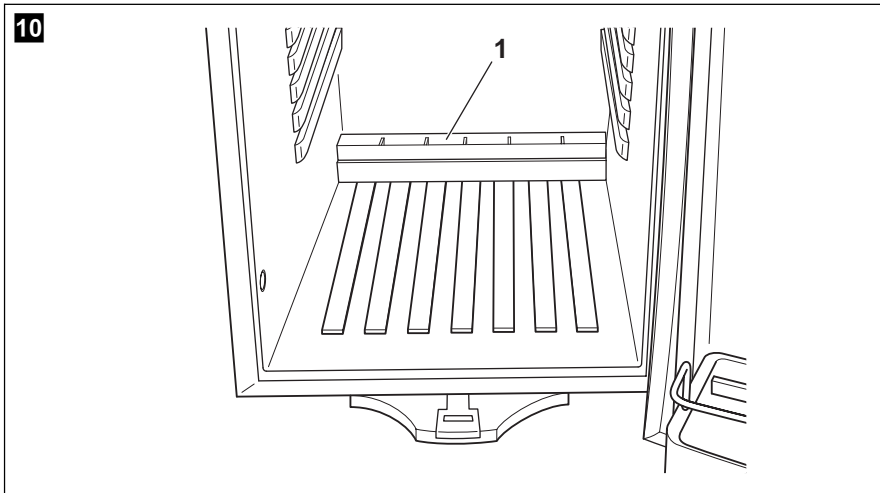
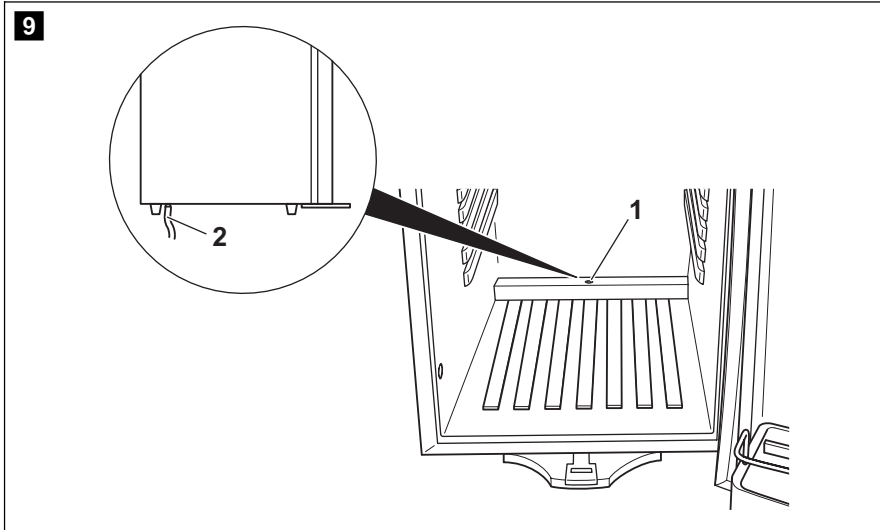


COOLMATIC CR-Serie



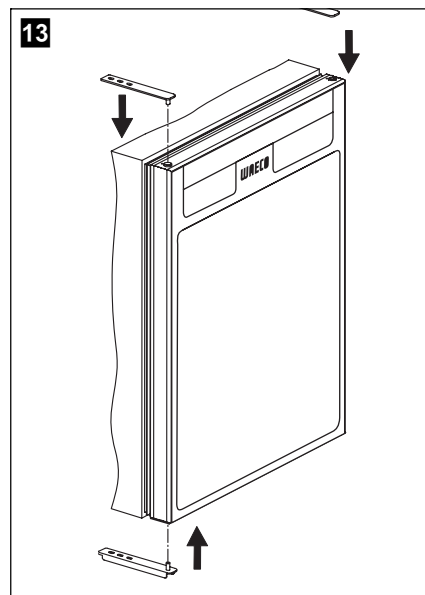
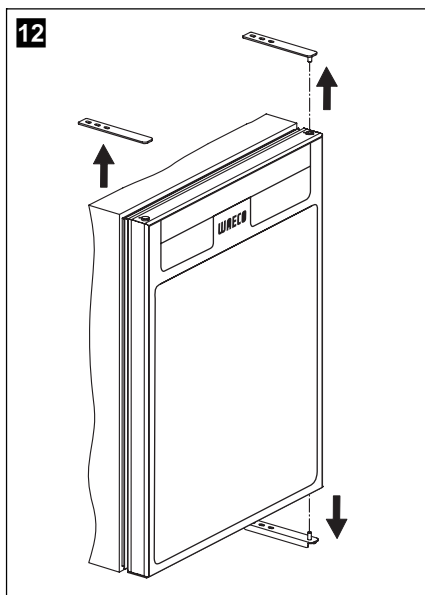
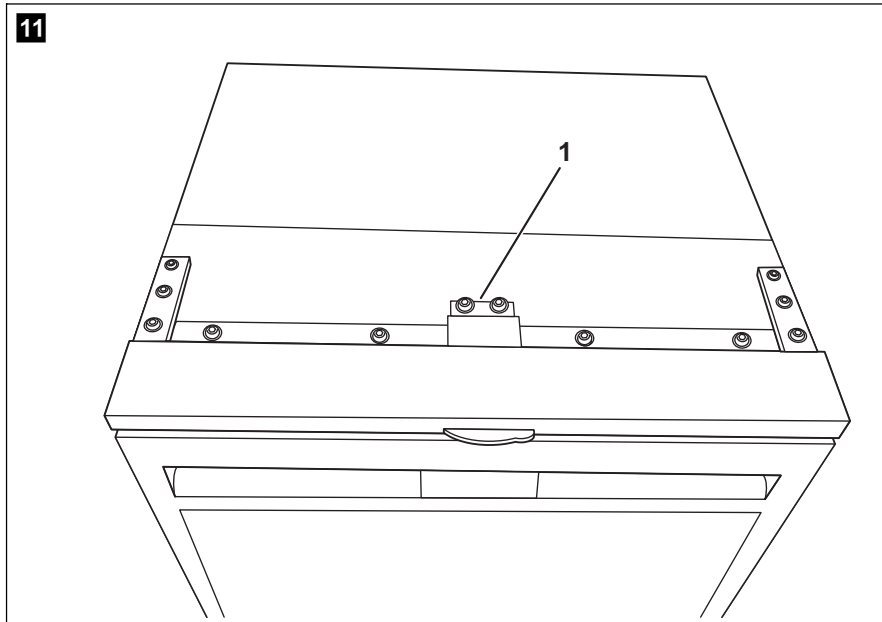


## COOLMATIC CR-Serie

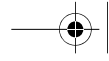




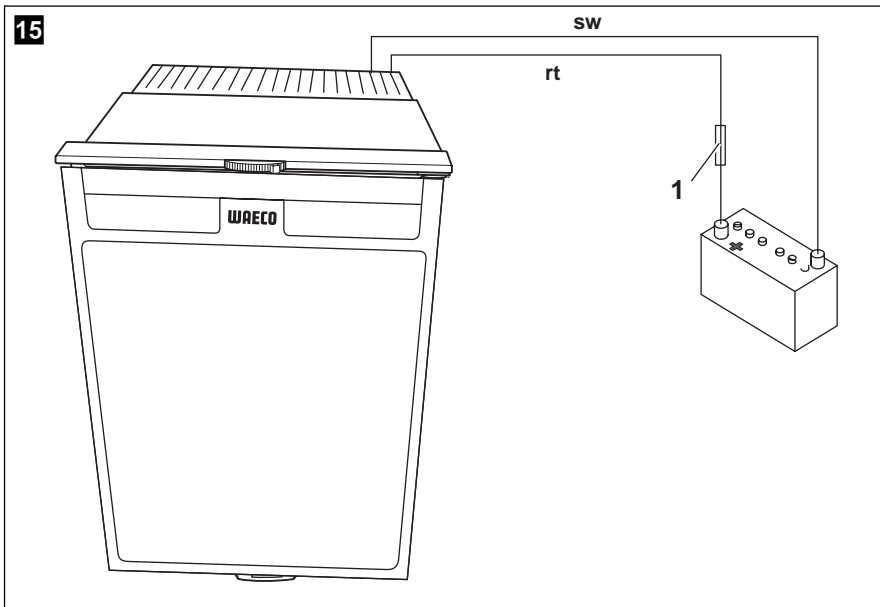
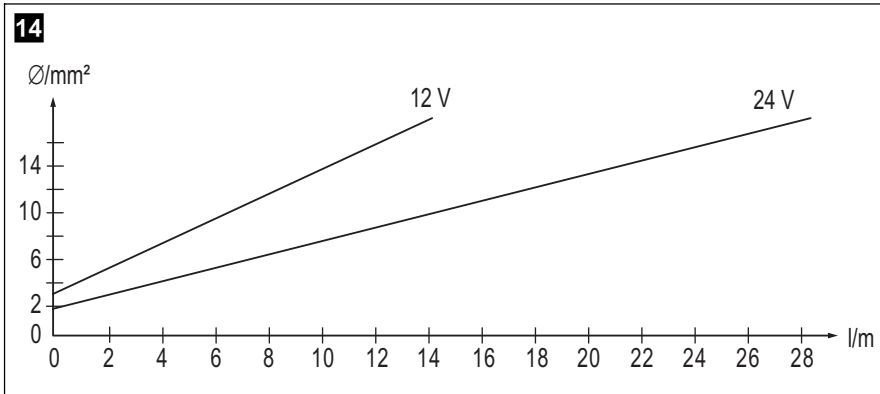
COOLMATIC CR-Serie

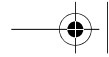




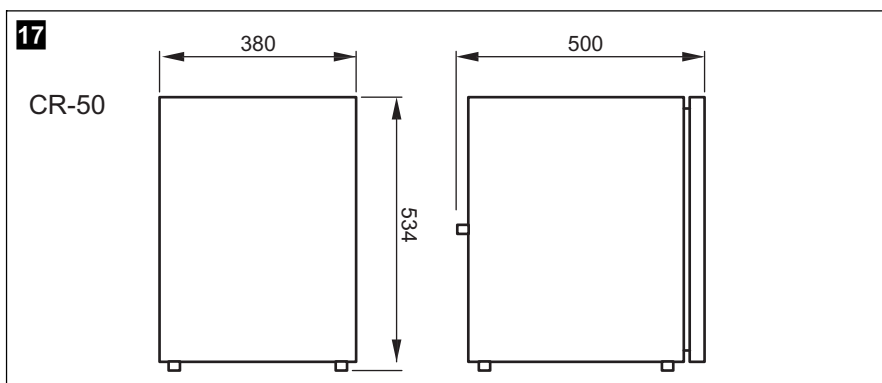
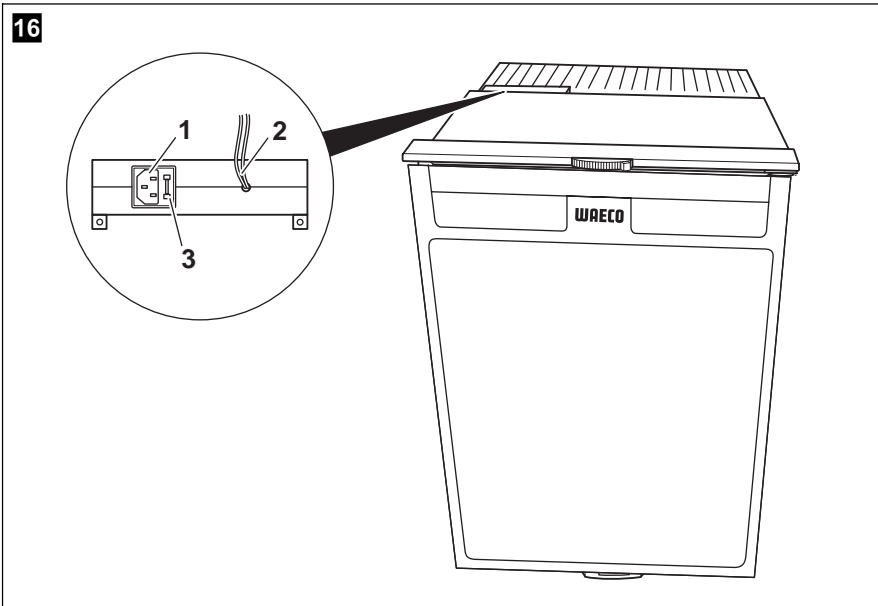


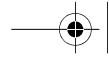
## COOLMATIC CR-Serie



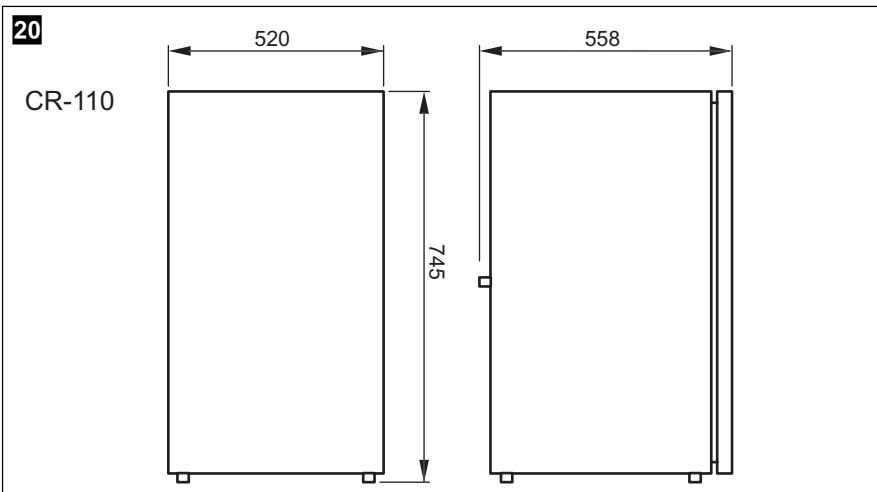
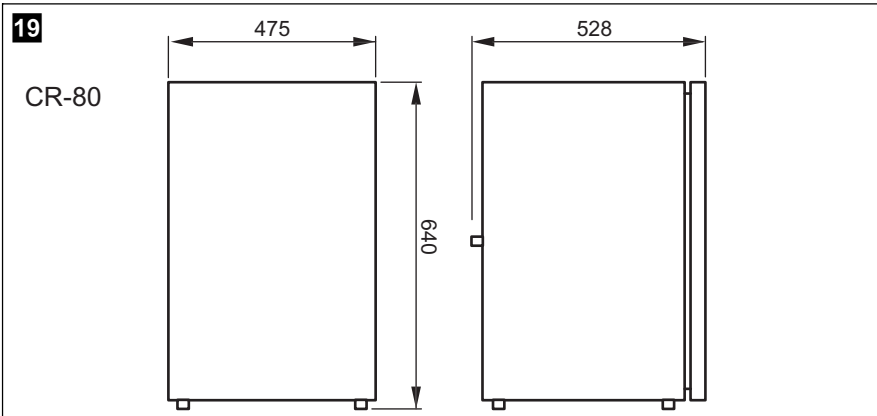
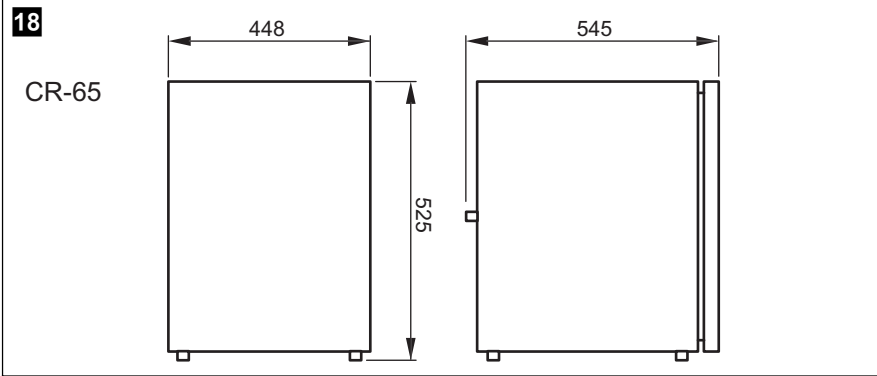


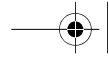
COOLMATIC CR-Serie





## COOLMATIC CR-Serie





## COOLMATIC CR Series

---



**Please read this instruction manual carefully before starting the appliance. Keep it in a safe place for future reference. If the appliance is handed over to another person, this operating manual must be handed over along with the appliance.**

## Contents

1	Notes on using the manual	32
2	Safety instructions	32
3	Scope of delivery	34
4	Accessories	34
5	Intended use	35
6	Technical description	35
7	Installing and connecting the refrigerator	37
8	Using the refrigerator	41
9	Cleaning and care	44
10	Guarantee	45
11	Disposal	45
12	Troubleshooting	45
13	Technical data	48





## 1 Notes on using the manual

The following symbols are used in this operating manual:



### Caution

**Safety instruction:** Failure to observe this instruction can cause personal injury or damage the appliance.



### Caution

**Safety instruction** relating to danger emanating from electrical currents or voltage: Failure to observe this instruction can cause injury or damage to the appliance and impair its functioning.



### Note

Supplementary information for operating the appliance.

➤ **Action:** This symbol indicates that action is required on your part. The required action is described step-by-step.

✓ This symbol describes the result of an action.

**fig. 5 1, page 5:** This refers to an element in an illustration. In this case, "item 1 in figure fig. 5 on page 3".

**Please observe the following safety instructions.**

## 2 Safety instructions

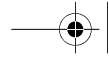


### Caution

WAECO International will not be held liable for claims for damage resulting from the following:

- Damage to the appliance resulting from mechanical influences and over voltage
- Alterations to the appliance made without the explicit permission of WAECO International
- Use for purposes other than those described in the operating manual





## 2.1 General safety

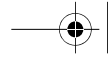


- Have a trained technician do the installation in wet rooms.
- Do not operate the appliance if it is visibly damaged.
- This appliance may only be repaired by qualified personnel. Improper repairs can lead to considerable hazards. Should your appliance need to be repaired, please contact WAECO customer service.
- Do not open the refrigerant circuit under any circumstances.
- Set up the appliance in a dry location where it is protected against splashing water.
- Do not place the appliance near naked flames or other heat sources (heaters, direct sunlight, gas ovens etc.)
- Ensure that the ventilation slots are not covered.
- The appliance is not suitable for the storage of caustic materials or materials containing solvents.



- Before you start up the appliance for the first time, check that the operating voltage matches the battery voltage (see type plate).
- **Danger of fatal injuries!**  
**When using the appliance on boats:** if the appliance is powered by the mains, ensure that the power supply has a residual current circuit breaker!
- If the connection cable is damaged, it must be replaced to prevent possible electrical hazards. Only replace a damaged connection cable with a connection cable of the same type and specifications.





## 2.2 Operating the appliance safely



- **Electrical appliances are not toys!**

Keep electrical appliances out of reach of children or infirm persons. Do not let them use the appliances without supervision.

- Defrost the appliance in good time to save energy.
- If you connect the appliance to a battery, make sure that no food comes into contact with the battery acid.
- Protect the appliance against rain and moisture.



- **Danger of fatal injury!**

Do not touch exposed cables with your bare hands. This especially applies when operating the appliance from an AC mains.

- Disconnect the refrigerator and other electric loads from the battery, before you connect the battery to a quick charging device. Overvoltage can damage the electronics.



- **Note:**

Disconnect the appliance from the power supply, if you are not going to use it for a prolonged period.



## 3 Scope of delivery

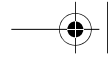


Quantity	Description
1	Refrigerator
1	Cable set
1	Operating manual

## 4 Accessories

Item number	Description
EPS-35	Rectifier for 220 - 240 V
EPS-35US	Rectifier for 110 V





## 5 Intended use



The refrigerator is suitable for cooling and freezing foodstuffs. The appliance is also suitable for use on boats.

If you wish to cool medicines, please check if the cooling capacity of the appliance is suitable for the medicine in question.

## 6 Technical description

WAECO CR series cooling appliances can cool goods and keep them cool. Products can be deep-frozen in the freezer compartment.

All materials used in the refrigerator are compatible for use with foodstuffs. The refrigerant circuit is maintenance-free and CFC-free.

The refrigerators are suitable for use with a DC voltage of 12 V or 24 V (e.g. in camper vans, caravans or on boats).

With a rectifier (**accessory**), the refrigerators can be operated on an AC network:

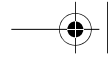
- EPS-35 rectifier: for use with a 220 – 240 V supply
- EPS-35US rectifier: for use with a 110 V supply

When used on boats the refrigerator can be subjected to a constant inclination of 30°.

You can use the continuously variable thermostat to set the desired temperature.







## 6.1 Control elements inside the fridge

The various types of refrigerators are shown in the following illustrations:

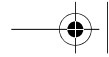
- CR-50: fig. **1**, page 3
- CR-65: fig. **2**, page 3
- CR-80: fig. **3**, page 4
- CR-110: fig. **4**, page 4

No. in illustration	Explanation
1	Freezer compartment
2	Wire shelf (folding, so that bottles can be put in the fridge)
3	Fruit compartment
4	Shelf
5	Bottle restraint (to hold bottles in the door)
6	Compartment with lid (hinged)

## 6.2 Control elements

No. in fig. <b>5</b> , page 5	Explanation
1	Temperature controller
2	Green LED: operation
3	Red LED: fault
4	Interior lighting





## 7 Installing and connecting the refrigerator

### 7.1 Installing the refrigerator

The appliance is designed for ambient temperatures between  $-10\text{ }^{\circ}\text{C}$  and  $+43\text{ }^{\circ}\text{C}$ . In continuous operation, the air humidity may not exceed 90 %.

Set up the fridge in a dry, sheltered place. Avoid placing it near heat sources such as radiators, gas ovens, hot water pipes etc. Do not let it stand in direct, strong sunlight.

Install the refrigerator so that the warm air produced can easily flow away (either upwards or to the sides). Therefore make sure there is adequate ventilation (fig. **7**, page 6).

No. in  
fig. **7**,  
page 6

Explanation

1	Cold intake air
2	Hot waste air
3	Condenser
4	Spacing above the fridge if insufficient air can circulate above or at the side.

If you put the refrigerator in a recess, you can fix it inside with suitable screws:

- Remove the blanking plugs (fig. **6** 2, page 5).
- Push the refrigerator into the recess.
- Use suitable screws (fig. **6** 1, page 5) to fix the refrigerator in place.
- Press the blanking plugs (fig. **6** 2, page 5) into the openings.





## 7.2 Undo the lock

The refrigerator has a locking mechanism (fig. **8** 1, page 6) which is also used, to protect it during transport. The following settings are possible:

- **Lock** (turn wheel clockwise to the end stop): The door is locked and secured.  
To open the door, lift the handle up and open it.
- **Vent** (turn wheel anti-clockwise to the end stop): The door is slightly open, but fixed in position.  
Use this position, if you are not going to use the appliance for a long time.

## 7.3 Changing the door hinge

You can also change the hinge of the door, so that it opens to the left rather than the right.

- Proceed as shown in fig. **11**, page 8 to fig. **13**, page 8, to change the hinges.

## 7.4 Connecting the refrigerator

### Connect the refrigerator to DC power

The refrigerators **CR-50**, **CR-65**, **CR-80** and **CR-110** can be operated with 12 V or with 24 V DC.



#### Caution

To avoid voltage drops and loss of performance, keep the cable as short as possible and avoid joins.

For this reason avoid additional switches, plugs or multi-way adapters.

- Determine the required cross section of the cable in relation to the cable length according to fig. **14**, page 9.

Key for fig. **14**, page 9

Co-ordinate axis	Explanation	Unit
l	Cable length	m
∅	Cable cross section	mm <sup>2</sup>



#### Caution

Make sure that the polarity is correct.





## COOLMATIC CR Series Installing and connecting the refrigerator

- ▶ Before starting up the appliance for the first time, check whether the operating voltage and the battery voltage match (see type plate).
  - ▶ Connect the refrigerator
    - as directly as possible to the poles of the battery or
    - to a 12 or 24 V DC socket.
- Fit a fuse in the positive wire of at least 15 A (for 12 V) or 7.5 A (for 24 V) (fig. **15** 1, page 9).
- ▶ Connect the red cable (fig. **15** rt, page 9) to the positive terminal of the battery.
  - ▶ Connect the black cable (fig. **15** sw, page 9) to the negative terminal of the battery.



### Caution

Disconnect the refrigerator and other electric loads from the battery before connecting the battery to a quick charging device. Overvoltage can damage the appliance electronics.

For safety reasons the refrigerator is equipped with an electronic system to prevent the polarity being reversed. This protects the refrigerator against reversed polarity when connecting to a battery and against short circuiting. To protect the battery, the refrigerator switches off automatically if the voltage is insufficient (see table below).

	<b>12 V</b>	<b>24 V</b>
<b>Cut-off voltage</b>	10.4 V	22.8 V
<b>Cut-in voltage</b>	11.7 V	24.2 V





### Connecting the refrigerator to AC power (accessory)

You can connect the refrigerator to AC power if you use a rectifier (accessory):

- 110 V: EPS-35US
- 220 – 240 V: EPS-35



#### Caution – Danger of electrocution

Never handle plugs and switches with wet hands or if you are standing on a wet surface.



#### Caution

If you are operating your refrigerator on board a boat with a mains connection of 230-V from the land, you must install a residual current circuit breaker between the 230V mains supply and the refrigerator.

Seek advice from a trained technician.



#### Note

Always connect the refrigerator to the rectifier. Otherwise the priority circuit for the refrigerator will be disabled.

The priority circuit reduces the load on a connected battery by the rectifier always switching to mains operation if AC power is connected.

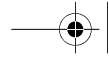
Proceed as follows when you connect the refrigerator to the AC supply:

- Fix the rectifier as shown in the location foreseen, behind the refrigerator (fig. **16**, page 10).
- Protect the AC circuit using a slow-blow fuse (250 V/3 A).
- Connect the power cable to the AC power supply.
- Plug in the connecting cable to the AC socket (fig. **16** 1, page 10).

Proceed as follows when you connect the refrigerator to a DC supply when a rectifier is fitted:

- Connect the loose DC cable (fig. **16** 2, page 10) to the battery:
  - Red cable: positive battery terminal
  - Black cable: negative battery terminal





## 8 Using the refrigerator



### Note

Before starting your new refrigerator for the first time, you should clean it inside and outside with a damp cloth for hygienic reasons (please also refer to the see "Cleaning and care" on page 44).

### 8.1 Energy saving tips

- Choose a well ventilated installation location which is protected from direct sunlight.
- Allow hot food to cool down first before you put it in the refrigerator.
- Do not open the refrigerator more often than necessary.
- Do not leave the door open for longer than necessary.
- Defrost your refrigerator as soon as a layer of ice forms.
- Avoid unnecessarily low temperature settings.
- Clean dust and dirt from the condenser at regular intervals.

### 8.2 Using the refrigerator

The fridge conserves fresh foodstuffs. The freezer compartment conserves frozen foodstuffs and freezes fresh foodstuffs.



#### Caution

Ensure that food or liquids in glass containers are not excessively cooled.

Liquids expand when they freeze and can thus destroy the glass containers.



#### Caution

Food may only be stored in its original packaging or in suitable containers.



#### Caution

Ensure that the objects placed in the refrigerator are suitable for cooling to the selected temperature.

- Switch the refrigerator on by turning the temperature control (fig. **5** 1 page 5) clockwise.





**Note**

After switching on, the refrigerator requires approx. 60 s until the compressor starts up.

**Setting the temperature**

You can set the temperature to any level using the control knob. The built-in thermostat regulates the temperature as follows:

- 1 = least cooling
- 7 = most cooling



**Note**

The cooling capacity can be influenced by:

- the ambient temperature
- the amount of food to be conserved
- the frequency with which the door is opened.

**Conserving foodstuffs**

You can conserve foodstuffs in the refrigerator. The time for which the food can be conserved in this way is usually stated on the package.



**Caution**

Do not conserve **warm** food in the refrigerator.  
Do not place glass containers containing liquid in the freezer compartment.



**Note**

Food which can easily absorb tastes and odours and liquids and products with a high alcohol content should be conserved in air-tight containers.

The refrigerator is divided in different zones with different temperatures:

- The colder zones are immediately above the drawers for fruit and vegetables, near the back wall.
- Observe the temperature information and best before date on the food packaging.
- Observe the following when using the refrigerator:
  - Never re-freeze products which have started defrosting or have been defrosted, but consume them as soon as possible.





- Wrap food in aluminium foil or cling film and shut in in a suitable box with a lid. This ensures that aromas, the shape and the freshness will be better conserved.

### Defrosting the refrigerator

The appliance has two options to remove the condensation resulting from operation:

- pass it directly outside:  
Remove the drip-tray (fig. **10** 1, page 7).  
Connect a hose (fig. **9** 2, page 7) to the outlet connections (fig. **9** 1, page 7).
- collect in the drip-tray:  
Empty the drip-tray (fig. **10** 1, page 7) as required.

### Defrosting the freezer



#### Caution

Never use hard or pointed tools to remove ice or to loosen objects which have frozen in place.

To defrost the refrigerator, proceed as follows:

- Take the contents out.
- If necessary, place the contents in another cooling appliance, to keep them cool.
- Set the temperature control knob to "0".
- Leave the door open.

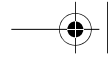
### Switching off and storing the refrigerator

If you do not intend to use the refrigerator for a long time, proceed as follows:

- Set the temperature control knob to level "0".
- Disconnect the power cable from the battery or pull the AC cable plug out of the rectifier.
- Clean the refrigerator (see see "Cleaning and care" on page 44).
- Turn the locking wheel (fig. **8** 1, page 6) anti-clockwise to the end stop ("Vent").
- Close the door until it latches in.
- ✓ The door stays open thus preventing smells from arising.







### Replacing the interior light

If the interior light in the refrigerator is faulty, you can change the bulb (12 V, 3 W).

- Remove the cover.
- Pull the light (fig. **5** 4, page 5) out of the sheet metal straps.
- Slide in the new lamp between the sheet metal straps, until it snaps into place.

### Change the fuse (only DC/AC refrigerators).

If the fuse in the rectifier is faulty too, you can replace this too.

- Lever the fuse compartment (fig. **16** 3, page 10) open with a screwdriver.
- Replace the fuse (250 V/3 A).
- Close the fuse compartment again.

## 9 Cleaning and care



### Caution

Do not use abrasive cleaning agents or hard objects during cleaning as these can damage the refrigerator.



### Caution

Never use hard or pointed tools to remove ice or to loosen objects which have frozen in place.

- As soon as the refrigerator becomes dirty, clean it with a damp cloth.
- Make sure that no water drips into the seals. This can damage the electronics.
- Wipe the refrigerator dry with a cloth after cleaning.





## 10 Guarantee

Our general guarantee conditions apply. If the product is defective, please return it to the WAECO branch in your country (see the back of the instruction manual for the addresses) or to your dealer. For repair and guarantee processing, please include the following documents when you send in the appliance:

- A copy of the receipt with purchasing date
- Reason for the claim or a description of the fault

## 11 Disposal

► Place the packaging material in the appropriate recycling waste bins wherever possible.



If you wish to scrap the appliance, ask your local recycling centre or specialist dealer for details about how to do this in accordance with the applicable disposal regulations.

## 12 Troubleshooting

### The significance of the red LED (fig. 5 2, page 5)

For operational faults it illuminates several times. The number of pulses depends on the type of fault.

Each flash lasts for one quarter of a second. After the series of impulses a pause follows. The sequence for the fault is repeated every four seconds.

Number of flashes	Fault	Possible cause
1	Supply voltage	The supply voltage is outside of the set range.
2	Excessive fan current	The fan loads the electronics unit with more than 1 A.
3	The motor doesn't start	The rotor is jammed. The pressure difference in the cooling system is too high (> 5 bar).
4	Speed too low	If the cooling system is overloaded, the minimum speed of the motor of 1850 RPM cannot be maintained.
5	Overheating of the electronics unit	If the cooling system is loaded too heavily or the temperature is set too high, the electronics can overheat.





## Troubleshooting

## COOLMATIC CR Series

**Interior temperature too low in control level "1"**

Fault	Possible cause	Remedy
Compressor runs constantly	Faulty thermostat	Change the thermostat
Compressor runs for a long time	Large quantities have been frozen in the freezer compartment	–

**Compressor does not run (battery connection)**

Fault	Possible cause	Remedy
$U_{KL} = 0 \text{ V}$	There is an interruption in the connection between the battery and the – electronics	Establish a connection
	Main switch faulty (if installed)	Replace the main switch
	Additional supply line fuse has blown (if installed)	Replace the supply line fuse
$U_{KL} \leq U_{EIN}$	Battery voltage is too low	Charge the battery
Start attempt with $U_{KL} \leq U_{OFF}$	Loose cables	Establish a connection
	Poor contact (corrosion)	Establish a connection
	Battery capacity too low	Replace the battery
Start attempt with $U_{KL} \geq U_{ON}$	Cable cross section too small	Replace the cable (fig. 14, page 9)
	Ambient temperature too high	–
	Insufficient ventilation and/or air supply	Move the refrigerator to another location
Electric circuit between the pins in the compressor interrupted	Condenser is dirty	Clean the condenser
	Defective compressor	Replace the compressor

$U_{KL}$  Voltage between the positive and negative terminals of the electronics

$U_{ON}$  Cut-in voltage of the electronics

$U_{OFF}$  Cut-off voltage of the electronics



**Compressor is not running (connected to AC supply)**

Fault	Possible cause	Remedy
No voltage	Interruption in the supply cable	Establish a connection
	Main switch faulty (if installed)	Replace the main switch
	Additional supply line fuse has blown (if installed)	Replace the supply line fuse
Voltage is present but the compressor doesn't run	Ambient temperature too high	–
	Insufficient ventilation and/or air supply	Move the refrigerator to another location
	Condenser is dirty	Clean the condenser
Electric circuit between the pins in the compressor interrupted	Defective compressor	Replace the compressor

**Poor cooling, interior temperature increases**

Fault	Possible cause	Remedy
Compressor runs for a long time/continuously	Ambient temperature too high	–
	Insufficient ventilation and/or air supply	Move the refrigerator to another location
	Condenser is dirty	Clean the condenser
	Faulty fan	Replace the fan
Compressor runs intermittently	Battery capacity exhausted	Charge the battery

**Unusual noises**

Fault	Possible cause	Remedy
Loud humming	A component of the refrigerant circuit cannot move freely (touching the wall)	Bend the component carefully away from the obstruction
	Foreign body jammed between the cooling unit and the wall	Remove the foreign body
	Fan noise	–

## 13 Technical data

All CR series refrigerators have the following characteristics:

- Dimensions: fig. **17**, page 10 to fig. **20**, page 11
- Supply voltage 12 V DC/24 V DC (see type plate on refrigerator)
- Connection to AC supply via rectifier (**accessory**):
  - 110 V AC: EPS-35US rectifier
  - 220 – 240 V AC: EPS-35 rectifier
- Refrigerator main compartment temperature range: +10 °C to 0 °C
- Freezer compartment temperature range: 0 °C to –18 °C
- Relative humidity: maximum 90 %
- Constant inclination: max. 30°

- Test/certificates:



	<b>CR-50</b>	<b>CR-65</b>
Item number	CR-0050E	CR-0065E
Capacity:	47 l	58 l
Freezer compartment:	4.5 l	7 l
Average power consumption:	40 W	40 W
Weight:	19 kg	20 kg

	<b>CR-80</b>	<b>CR-110</b>
Item number	CR-0080E	CR-0110E
Capacity:	78 l	108 l
Freezer compartment:	8 l	10 l
Average power consumption:	40 W	45 W
Weight:	23 kg	28 kg

Versions, technical modifications and delivery options reserved.

This appliance is CFC-free.

The coolant circuit contains R134a.



# WAECO

## mobile solutions

### Headquarters

**(D)** **WAECO International GmbH** · Hollefeldstraße 63 · D-48282 Emsdetten  
Fon: +49 2572 879-195 · Fax: +49 2572 879-322 · E-Mail: info@waeco.de · Internet: www.waeco.de

### Europe

**(CH)** **WAECO Schweiz AG**  
Riedackerstrasse 7a  
CH-8153 Rümlang (Zürich)  
Fon: +41 44 8187171  
Fax: +41 44 8187191  
E-Mail: info@waeco.ch

**(DK)** **WAECO Danmark A/S**  
Tværvvej 2  
DK-6640 Lunderskov  
Fon: +45 75585966  
Fax: +45 75586307  
E-Mail: waeco@waeco.dk

**(E)** **WAECO Ibérica S.A.**  
Cami del Mig, 106  
Poligono Industrial Les Corts  
E-08349 Cabrera de Mar  
(Barcelona)  
Fon: +34 93 7502277  
Fax: +34 93 7500552  
E-Mail: info@waeco.es

**(F)** **WAECO Distribution SARL**  
ZAC 2 - Les Portes de L'Oise  
Rue Isaac Newton - BP 59  
F-60230 Chambly (France)  
Fon: +33 1 30282020  
Fax: +33 1 30282010  
E-Mail: info@waeco.fr

**(FIN)** **WAECO Finland OY**  
Mestarintie 4  
FIN-01730 Vantaa  
Fon: +358 20 7413220  
Fax: +358 9 7593700  
E-Mail: waeco@waeco.fi

**(I)** **WAECO Italcold SRL**  
Via dell'Industria 4/0  
I-40012 Calderara di Reno (BO)  
Fon: +39 051 727094  
Fax: +39 051 727687  
E-Mail: sales@waeco.it

**(N)** **WAECO Norge AS**  
Leif Weldingsvei 16  
N-3208 Sandefjord  
Fon: +47 33428450  
Fax: +47 33428459  
E-Mail: firmapost@waeco.no

**(NL)** **WAECO Benelux B.V.**  
Ecustraat 3  
NL-4879 NP Etten-Leur  
Fon: +31 76 5029000  
Fax: +31 76 5029090  
E-Mail: verkoop@waeco.nl

**(S)** **WAECO Svenska AB**  
Gustaf Melins gata 7  
S-42131 Västra Frölunda  
(Göteborg)  
Fon: +46 31 7341100  
Fax: +46 31 7341101  
E-Mail: info@waeco.se

**(UK)** **WAECO UK Ltd.**  
Dorset DT2 8LY · Unit G  
Roman Hill Business Park  
UK-Broadmayne  
Fon: +44 1305 854000  
Fax: +44 1305 854288  
E-Mail: sales@waeco.co.uk

### Overseas + Middle East

**(AUS)** **WAECO Pacific Pty. Ltd.**  
1 John Duncan Court  
Varsity Lakes QLD 4227  
Fon: +61 7 55076000  
Fax: +61 7 55221003  
E-Mail: sales@waeco.com.au

**(HK)** **WAECO Impex Ltd.**  
Headquarters  
Suites 3210-12 · 32/F · Tower 2  
The Gateway · 25 Canton Road  
Tsim Sha Tsui · Kowloon  
Hong Kong  
Fon: +852 2 4632750  
Fax: +8 52 24639067  
E-Mail: info@waeco.com.hk

**(ROC)** **WAECO Impex Ltd.**  
Taipei Office  
2 FL-3 · No. 56 Tunhua South Rd, Sec 2  
Taipei 106, Taiwan  
Fon: +886 2 27014090  
Fax: +886 2 27060119  
E-Mail: marketing@waeco.com.tw

**(UAE)** **WAECO Middle East FZCO**  
R/A 8, SD 6  
Jebel Ali, Dubai  
Fon: +971 4 8833858  
Fax: +971 4 8833868  
E-Mail: waeco@emirates.net.ae

**(USA)** **WAECO USA, Inc.**  
8 Heritage Park Road  
Clinton, CT 06413  
Fon: +1 860 6644911  
Fax: +1 860 6644912  
E-Mail: customercare@waecousa.com

 [www.waeco.com](http://www.waeco.com)

4445100163 02/2006

